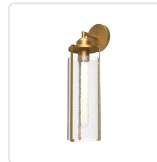


BELMONT WV536005

FIXTURE DIMENSIONS	W5" x H19-1/4" x E6-3/4"
HEIGHT FROM CENTER	17"
EXTENSION	6-3/4"
LAMP TYPE	E26
MAX WATTAGE	60W
BULB QTY	1
BULBS INCLUDED	No
VOLTAGE	120V
GLASS DETAILS	Clear Water Glass
MATERIAL	Aluminum; Glass; Steel;
INSTALL OPTIONS	Down Only; Wall;
LOCATION	Damp
CANOPY DIMENSIONS	D4-3/4" x H7/8"
PAINT FINISH	AG01; MB01;

[D - Diameter, L - Length, W - Width, H - Height, E - Extension]

AVAILABLE FINISHES:



WV536005AGWC

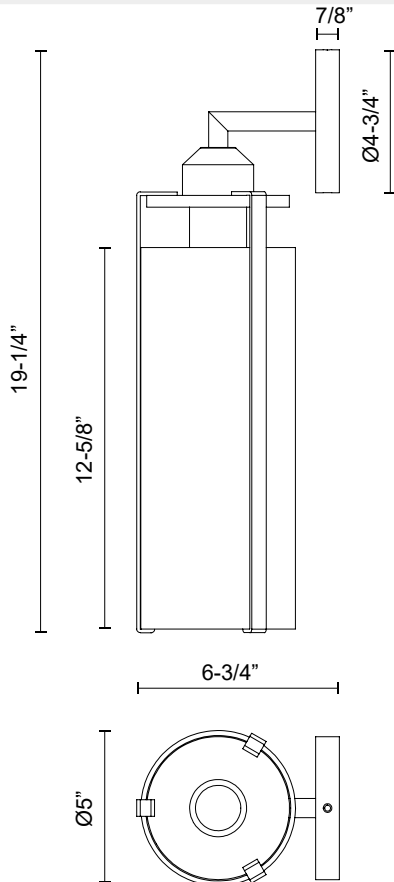
Aged Gold/Clear
Water Glass



WV536005MBWC

Clear Water
Glass/Matte Black

*For complete warranty terms, please visit: www.aloralighting.com/warranty



WWW.ALORAMOOD.COM

© 2022 KUZCO LIGHTING. ALL RIGHTS RESERVED.

